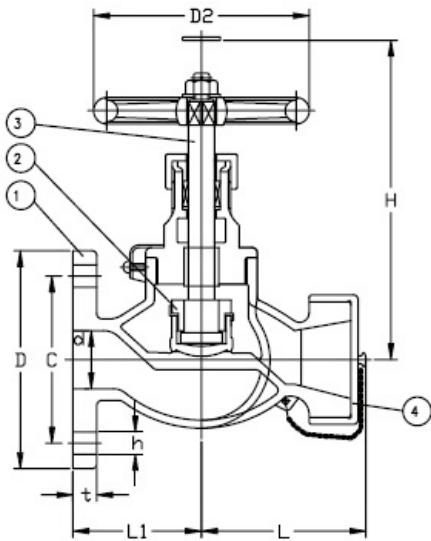




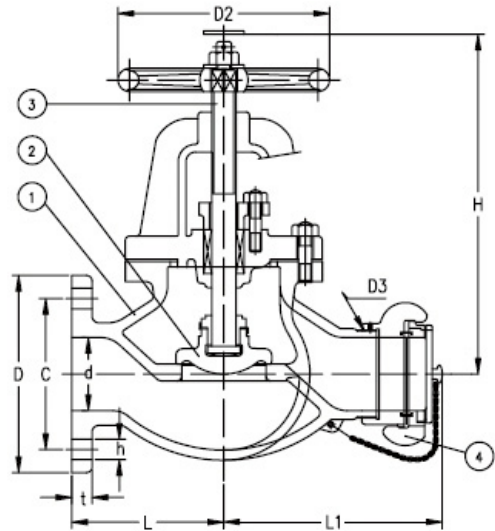
MARINE BRONZE 5K HOSE GLOBE VALVE - JIS F7334

MARINE BRONZE 10K HOSE GLOBE VALVE - JIS F7334

Manufactured in accordance to JIS F7400
 Flanges as per JIS B2220 - 5K or 10K



Screwed Bonnet for sizes 15A-25A



Bolted Bonnet for sizes 40A-65A

No.	Component	Material
1	Body	Bronze
2	Disc	Bronze
3	Stem	Brass
4	Coupling	Bronze

Nominal Pressure		5K	10K
Hydraulic Inspection	Body	10.5kg	21kg
	Seat	7.7kg	15.4kg

Type	Size	D	C	No.	h	t	H	D2	D3	Kg
5K	15A	80	60	4	12	9	130	80	M42x2	2.51
	25A	95	75	4	12	10	160	125	M42x2	3.55
	40A	120	95	4	15	12	190	140	M52x2	6.26
	50A	130	105	4	15	14	255	160	M64x2	12.90
10K	15A	95	70	4	15	12	130	80	M42x2	2.76
	25A	125	90	4	19	14	160	125	M42x2	4.15
	40A	140	105	4	19	16	190	140	M52x2	8.43
	50A	155	120	4	19	16	270	160	M64x2	15.4
	65A	175	140	4	19	18	295	200	M80x2	27.8